

KF600-AC Series

Wafer Connection Orifice Plate Type Rotameter

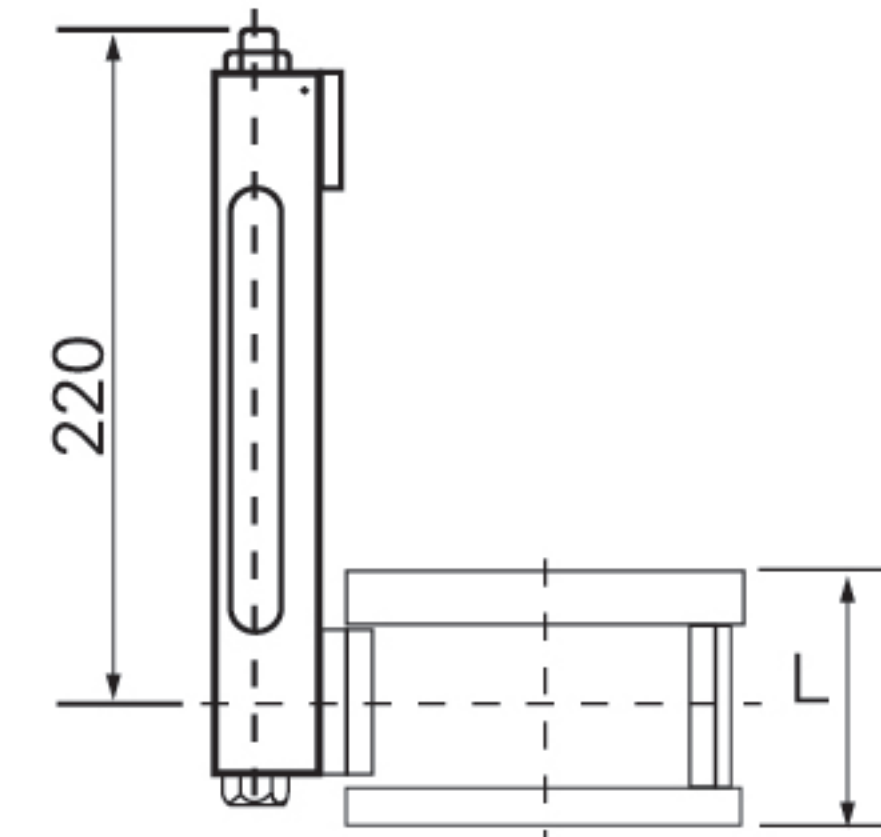
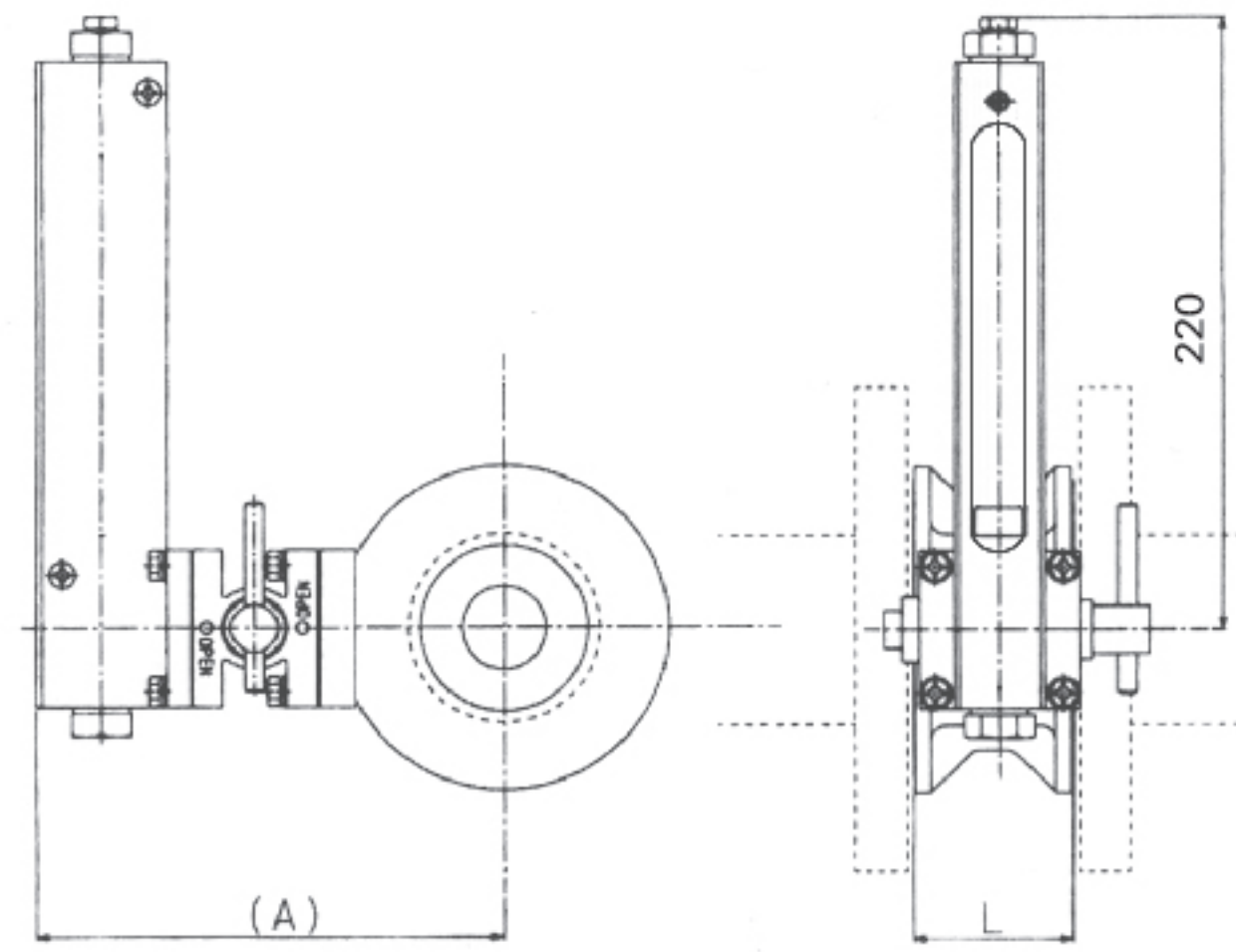
From DN10 to DN600, easy installation and maintenance



Stainless Steel



PVC



KF600-AC Series Wafer Connection Orifice Plate Type Rotameter is an integrated orifice-diverted flowmeter, with the float flowmeter mounted beside the main pipe and combined as one unit with the diversion orifice plate. As fluid flows through the orifice, a differential pressure develops across it, causing part of the fluid to flow through the bypass, which then pushes the float in the glass tube, indicating the flow rate in the main pipe.

FEATURES

- Low pressure loss
- Strong anti-clogging and wear resistance
- Bypass branch can be independently cleaned or replaced, convenient maintenance
- Wide turndown ratio and high precision
- Suitable for a variety of industrial applications
- High cost-effectiveness

APPLICATIONS

- Petrochemical Industry
- Metallurgical Industry
- Textile Industry
- Pharmaceutical Industry
- Semiconductor Industry
- Food and Beverage Industry
- Paper and Pulp
- Power Plants
- Urban Water Supply and Drainage
- Environmental Protection
- New Energy Industry
- Shipbuilding Industry

SPECIFICATIONS

Pipe Size	DN10 - DN600
Accuracy	±3%
Temperature Rating	POM: 0°C - 100°C; 304 Stainless Steel: 0°C - 120°C; PVC: 0°C - 60°C
Pressure Rating	Less than 1MPa
Process Connection	Wafer connection

MODEL CHART

Example	KF600	-AC	-10	-1	-L	-xxx	-xxx	-1	-1	-1	
Series	KF600										Wafer Connection Orifice Plate Type Rotameter
Connection		AC									Wafer Connection
Pipe Size			10								DN10, 3/8". Range: Water: 0.1m³/h-0.5m³/h, Air: 0.8Nm³/h-4Nm³/h; L x A = 50x137. Weight: 2.5kg
			15								DN15, 1/2". Range: Water: 0.2m³/h-1m³/h, Air: 2Nm³/h-10Nm³/h; L x A = 50x140. Weight: 2.7kg
			20								DN20, 3/4". Range: Water: 0.5m³/h-2.5m³/h, Air: 5Nm³/h-25Nm³/h; L x A = 50x145. Weight: 2.8kg
			25								DN25, 1". Range: Water: 1m³/h-5m³/h, Air: 8Nm³/h-40Nm³/h; L x A = 50x150. Weight: 3.2kg
			32								DN32, 1-1/4". Range: Water: 1.4m³/h-7m³/h, Air: 12Nm³/h-60Nm³/h; L x A = 50x165. Weight: 3.6kg
			40								DN40, 1-1/2". Range: Water: 2m³/h-10m³/h, Air: 18Nm³/h-90Nm³/h; L x A = 50x170. Weight: 2.5kg
			50								DN50, 2". Range: Water: 4m³/h-20m³/h, Air: 35Nm³/h-175Nm³/h; L x A = 50x178. Weight: 2.8kg
			65								DN65, 2-1/2". Range: Water: 7m³/h-35m³/h, Air: 60Nm³/h-300Nm³/h; L x A = 50x190. Weight: 3.1kg
			80								DN80, 3". Range: Water: 10m³/h-50m³/h, Air: 80Nm³/h-400Nm³/h; L x A = 50x195. Weight: 3.3kg
			100								DN100, 4". Range: Water: 18m³/h-90m³/h, Air: 160Nm³/h-800Nm³/h; L x A = 50x200. Weight: 3.8kg
			125								DN125, 5". Range: Water: 25m³/h-125m³/h, Air: 250Nm³/h-1250Nm³/h; L x A = 50x220. Weight: 8.2kg
			150								DN150, 6". Range: Water: 40m³/h-200m³/h, Air: 350Nm³/h-1700Nm³/h; L x A = 50x240. Weight: 10kg
			200								DN200, 8". Range: Water: 70m³/h-350m³/h, Air: 600Nm³/h-2800Nm³/h; L x A = 50x270. Weight: 13kg
			250								DN250, 10". Range: Water: 100m³/h-500m³/h, Air: 900Nm³/h-5000Nm³/h; L x A = 50x295. Weight: 18kg
			300								DN300, 12". Range: Water: 180m³/h-900m³/h, Air: 1600Nm³/h-7800Nm³/h; L x A = 50x320. Weight: 20kg
			350								DN350, 14". Range: Water: 200m³/h-1000m³/h, Air: 2000Nm³/h-9500Nm³/h; L x A = 65x350. Weight: 25kg
		400								DN400, 16". Range: Water: 300m³/h-1500m³/h, Air: 3000Nm³/h-14500Nm³/h; L x A = 65x380. Weight: 34kg	
		450								DN450, 18". Range: Water: 400m³/h-2000m³/h, Air: 4000Nm³/h-19000Nm³/h; L x A = 65x405. Weight: 40kg	
		500								DN500, 20". Range: Water: 500m³/h-2500m³/h, Air: 5000Nm³/h-24000Nm³/h; L x A = 65x432. Weight: 47kg	
		600								DN600, 24". Range: Water: 600m³/h-3000m³/h, Air: 6000Nm³/h-30000Nm³/h; L x A = 65x492. Weight: 58kg	
Connecto Material				1							POM Polyoxymethylene
				2							304 Stainless Steel
				3							PVC Polyvinyl Chloride
Medium					L						Liquid
					A						Gas
Working Pressure						xxx					Less than 1MPa
Working Temperature							xxx				POM: 0°C - 100°C; 304 Stainless Steel: 0°C - 120°C; PVC: 0°C - 60°C
Shut-off Valve									1		304 stainless steel shut-off valve
									2		PVC
									3		Without shut-off valve
Thread Type										1	DIN Standard
										2	American Standard (ANSI)
										3	Japanese Standard (JIS)
Indicator Material										1	All wetted parts of the small flow meter are made of 304 or 316 stainless steel
										2	All wetted parts of the small flow meter are made of PVC (optional photoelectric alarm switch)